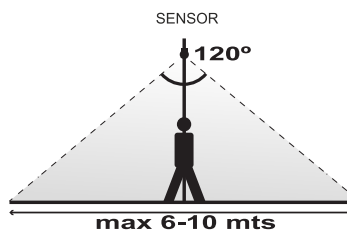
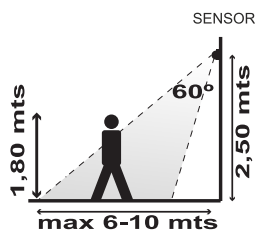
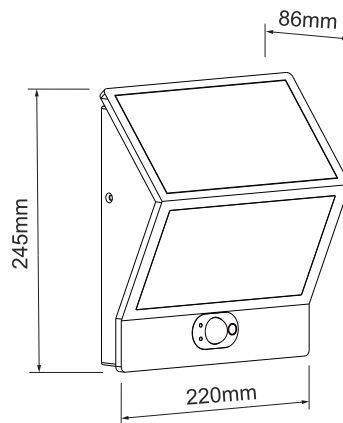


EGNA PANEL SOLAR 3W NEGRO 120° LED



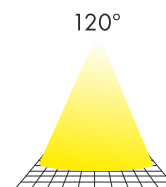
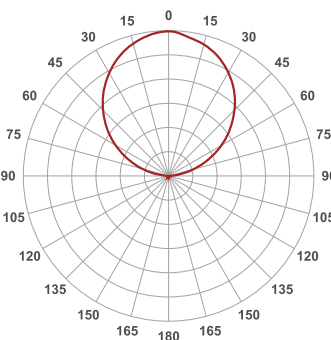
IP54



LI-ION battery

11% 20h 100% 2-3h

5-6hr
charging time
under 100.000lux



CODE	CCT	LUMENS	CD	POWER	VOLTAGE	ANGLE	LIFETIME	RA	IP
3592	4.000 K	250	90	3W	7,4V	120°	25.000h	80	54